

Users' Operations Manual



PRO2®



PRO1000

PRO2® Total Body Exerciser & PRO1000 Upper Body Exerciser Fit-Key™ Compatible



Before using this product, read this manual and follow all safety rules and operating instructions.



TABLE OF CONTENTS

SAFETY INFORMATION.....	1
INTRODUCTION.....	2
SPECIFICATIONS.....	3
SETUP & INSTALLATION.....	4
ASSEMBLY.....	5 - 7
PRODUCT OVERVIEW.....	8
KEYPAD FUNCTIONS.....	9
BIOMECHANICAL POSITIONING.....	10
ADJUSTMENTS.....	11 - 12
ACCESSORIES.....	13 - 14
PROGRAM INSTRUCTIONS.....	15 - 16
MAINTENANCE & SERVICE.....	17
WARRANTY.....	18

SAFETY INFORMATION

The purpose of safety symbols is to attract your attention to possible dangers. The safety symbols, and their explanations, deserve your careful attention and understanding. The safety warnings do not, by themselves, eliminate any danger. The instructions or warnings they give are not substitutes for proper accident prevention measures.

Look for these symbols to point out important safety precautions. It means attention ! Your safety is involved.

WARNING

Failure to obey a safety warning **can** result in injury to yourself and others. Always follow the safety precautions to reduce the risk of personal injury.

CAUTION

Failure to obey a safety caution **can** result in injury to yourself and others. Always follow the safety precautions to reduce the risk of personal injury.

Read all instructions before using your SCIFIT exercise machine. Save these instructions for future reference.

Close supervision is necessary when exercise machine is being used by or near children, or individuals with disabilities. Keep children away from extended hand and foot supports.

Use the exercise machine only for its intended use as described in this manual. Do not use attachments not recommended by the manufacturer.

Never drop or insert any object into any opening.

Do not use outdoors or in a harsh environment where water is present (i.e. pool or spa areas).

INTRODUCTION

Thank you for your purchase of the SCIFIT PRO2® Total Body Exerciser or PRO1000 Upper Body Exerciser. We have incorporated the finest technology and ergonomic design into this machine to assist you in achieving your fitness goals. However, for your safety, please adhere to the following recommendations before you begin to exercise.

The SCIFIT PRO2 and PRO1000 are designed for Class "S" (Studio), Class "I" (Special Needs) and Class "II a" (Medical Device Directive) applications. The intended uses are for Cardio & Pulmonary Rehabilitation as well as Sports Medicine, Physical Therapy, Physical Conditioning and Strength Training. SCIFIT equipment is suitable for placement in fitness, medical rehab, sports performance and recreational facilities. REX has 200 levels of computer controlled resistance, which ensures that users of all fitness levels will be able to get a challenging but not overwhelming workout.

Consult Your Physician

Consult your physician or medical specialist before participating in any exercise program, especially if you are pregnant, or if you are suffering from: heart disease, respiratory disease, diabetes, hypertension, high blood pressure, elevated cholesterol, arthritis, or any other diseases or physical complaints.

Adult Usage

SCIFIT equipment is designed and intended for adult usage and children of appropriate ages while being supervised. Young children should be kept a safe distance away from equipment.

Cool Down

To prevent muscle injuries and soreness, you should always cool down (at least 5 minutes) by doing a series of stretches after each workout.

CAUTION

Always stretch after a workout session to reduce the risk of personal injury. Failure to stretch properly **may** result in injury to yourself.

Guidelines for Healthy Adults

The American College of Sports Medicine (ACSM) and the American Heart Association (AHA) are continuously updating guidelines and recommendations for physical activity.

The current basic recommendations from ACSM and AHA is:

Do moderately intense cardio 30 minutes a day, five days a week.

OR

Do vigorously intense cardio 20 minutes a day, three days a week.

AND

Do eight to ten strength-training exercises, eight to twelve repetitions of each exercise twice a week.

Moderate-intensity physical activity means working hard enough to raise your heart rate and break a sweat, yet still being able to carry on a conversation. It should be noted that to lose weight or maintain weight loss, 60 to 90 minutes of physical activity may be necessary. The 30 minute recommendation is for the average healthy adult to maintain health and reduce the risk for chronic disease.

To review the latest guidelines and recommendations, visit the American College of Sports Medicine website: www.acsm.org

WARNING

Stop exercising immediately if you feel nausea, dizziness, sharp pain, or any other physical discomfort. Failure to stop exercising **can** result in injury or death to yourself.

Train Intelligently

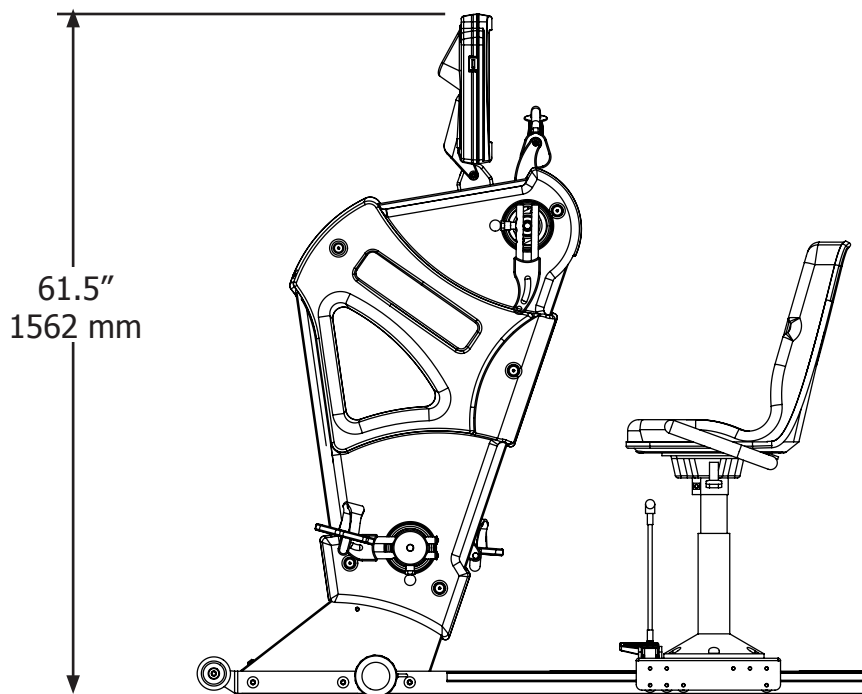
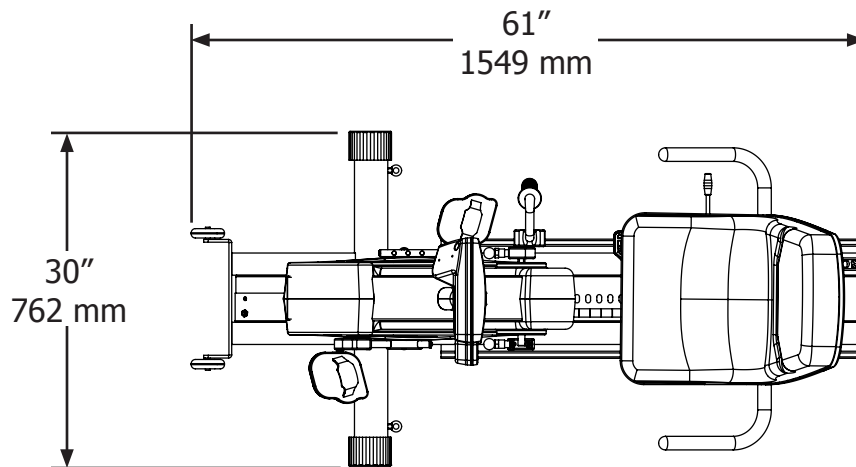
To ensure a future of good health, you should always eat well balanced meals, drink plenty of fluid/water during a workout, and stay fit by exercising intelligently. Always follow training guidelines that are specific for your own physical condition.

WARNING

Injuries to health may result from incorrect or excessive training. Failure to stop exercising **can** result in injury or death to yourself.

SPECIFICATIONS

Weight	PRO2 - 223 lbs. / 106 Kg. PRO1000 - 202 lbs. / 92 Kg.
Max User Weight . .	350 lbs. / 159 Kg.
Power	Self generating w/auto recharge battery back-up. Optional Low Voltage AC adapter available.
Resistance System .	Electromagnetic Self Generating Bi-directional Resistance
Work Load	Speed dependent - CONSTANT WORK & ISO-STRENGTH programs Speed Independent - MANUAL, HEART RATE, RANDOM & HILL PROFILES programs
Accuracy Class. . . .	Class A
Warranty	Within U.S. & Canada 3 years parts, 1 year labor Outside U.S. 3 years parts, no labor



SETUP & INSTALLATION

Placement of Cardiovascular Machine

To aid in the placement of equipment, two wheels are located on the rear of the unit. Movement of machine should be done with two people. Carefully lift the front of unit until wheels are engaged on floor and position unit in desired location.

Position the unit in a location that has a stable and level sub-floor. Equipment should be positioned in a location that is not in direct sunlight, in areas of extreme temperature and humidity, or where the equipment may be splashed with water or fluids. This machine is intended for indoor use only.

Equipment should be positioned with a safety perimeter of 40" or 1 meter around unit.

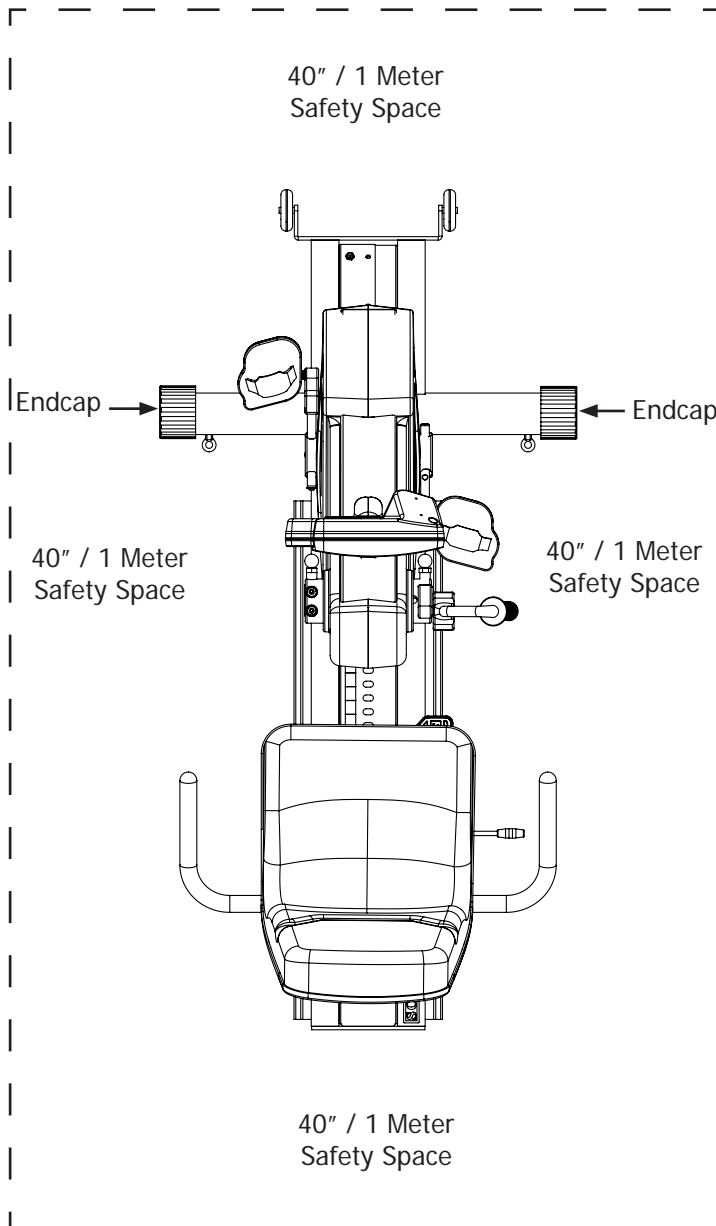
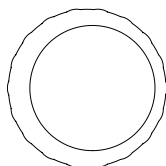
WARNING

Failure to place the equipment on a stable and level sub-floor with a safety perimeter can result in injury to yourself and others.

Level Cardiovascular Machine

If the sub-floor is unlevel, the unit is equipped with leveling end caps. The end caps are designed with the recess of end cap off centered. This allows you to rotate the endcap(s) to a position that will level the equipment. After adjustment, check and make sure end caps are fully seated against base frame tubes.

Offset Endcap



Proper Supervision

Close supervision is required when the exercise machine is being used by or near individuals with disabilities. Keep unsupervised children outside the safety perimeter.

Cleaning

Never clean the machine with organic solvents, alcohol or bleach based cleaners. To promote a healthy environment, wipe any sweat off of unit with a commercially manufactured wipe designed for the fitness industry, or a damp cloth.

ASSEMBLY

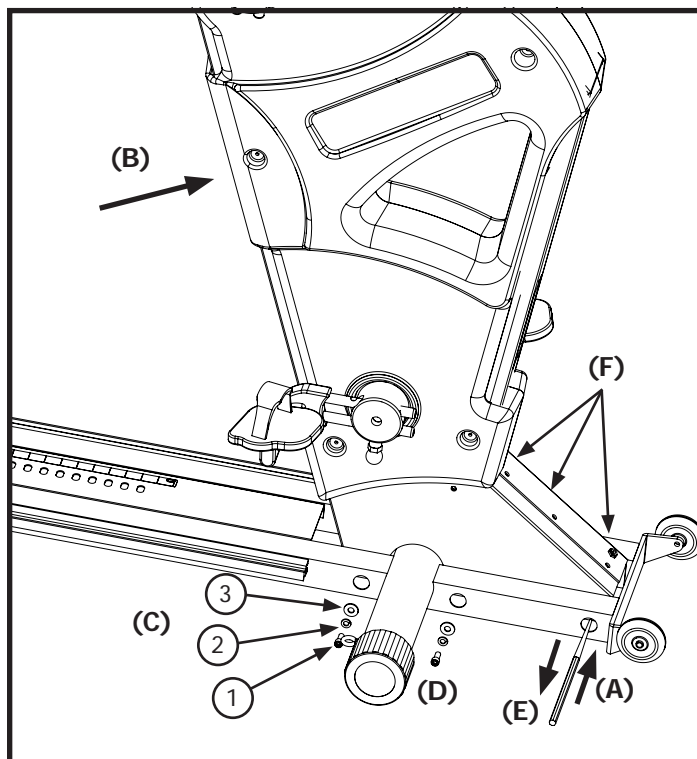
Assembly

For equipment that is shipped overseas, some assembly is required. Follow the steps below for assembly.

Assemble Monocoque Frame to Base Frame

With the aid of a second person, align bottom mounting threaded nutserts of Monocoque Frame with the Base Frame mounting holes.

To aid in maintaining alignment, **(A)** insert a long needle point center punch through the access hole, mounting hole of base frame and threaded nut-sert. From the front side of monocoque frame **(B)** push up on frame until nut-serts are aligned with mounting holes. **(C)** In the forward most access hole, insert 5/16-18 x 3/4" bolt, 5/16" flat split-lock washer and 5/16" flat washer, and thread into nut-sert. Do not tighten bolt. **(D)** Repeat process for the center hole. **(E)** Pull center punch out and install bolt and washers. Start Opposite Side - Push in slightly on monocoque frame until holes are lined up. **(F)** Start the first bolt and washers, Do not tighten bolt. Repeat process for the two remaining holes. Tighten all bolts to 40 ft/lbs (5.53 kg/m).



Required Tools:

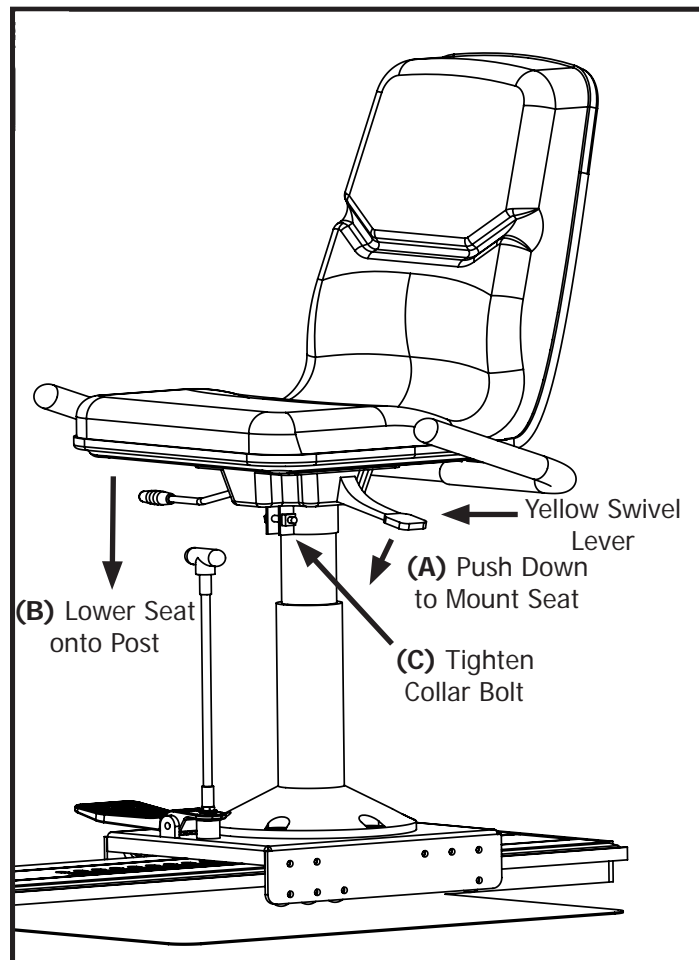
Long Needle Point Center Punch
5/16" Allen Drive Socket
1/4" Allen Drive Socket

Required Parts:

Item	Qty.	Description	Part #
1	4	5/16-18 x 3/4" Socket Cap Head Screw	3112SCH
2	4	5/16 Flat Split Lock Washer	31WS
3	4	5/16 Flat Washer	31W

Assemble Swivel Seat to Seatpost

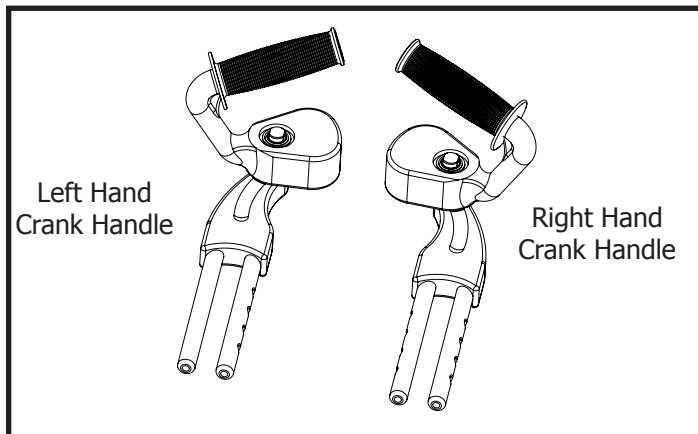
(A) Adjust yellow swivel lever to the down position. **(B)** Lower seat assembly onto seatpost until seat is fully seated. Raise the swivel lever and rotate seat until seat locks into position. **(C)** Tighten seat mounting collar bolt with a 1/4" allen drive socket, do not over tighten.



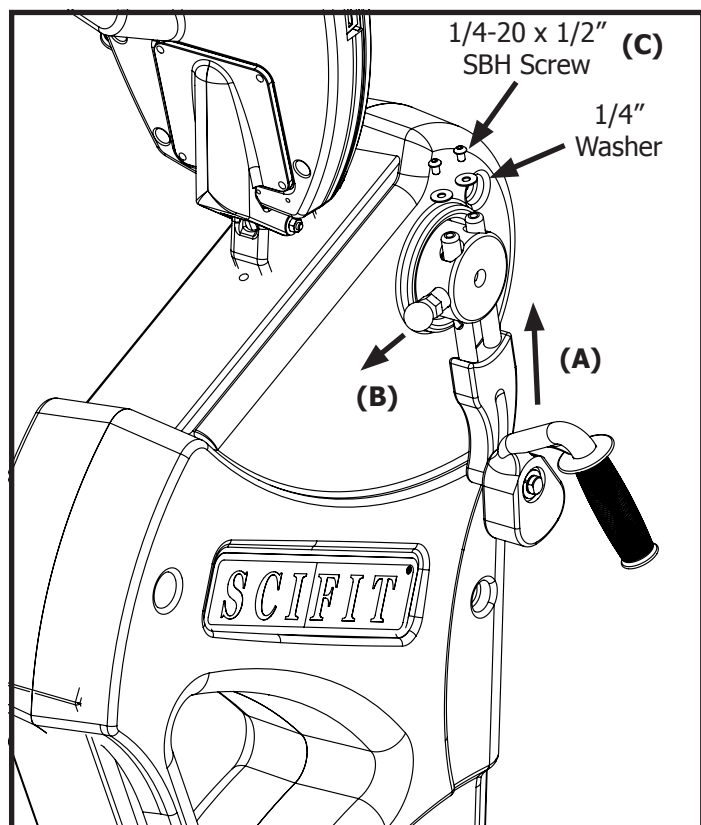
ASSEMBLY

Assemble Hand Crank Handles to Hubs

Identify Left and Right Hand Crank Handles

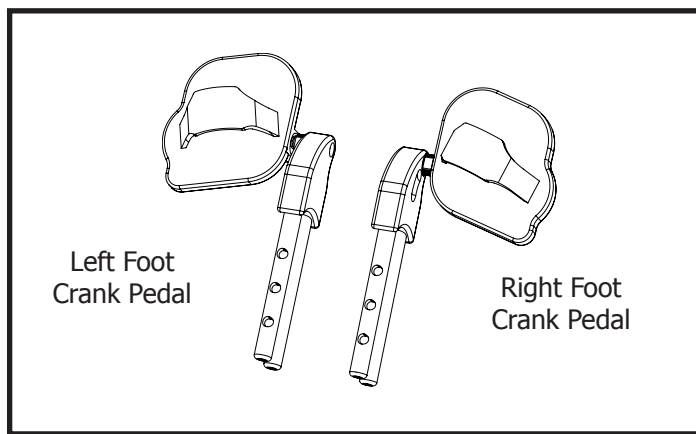


- (A) Insert parallel rods through bearing holes of hub.
- (B) Pull yellow crank arm locking pin out and push rods through until end of rod protrudes from farside.
- (C) To prevent unwanted dropping of crank arm when adjusting crank arm positions, install a 1/4-20 x 1/2" socket button head screw and 1/4" washer into the end of each rod.

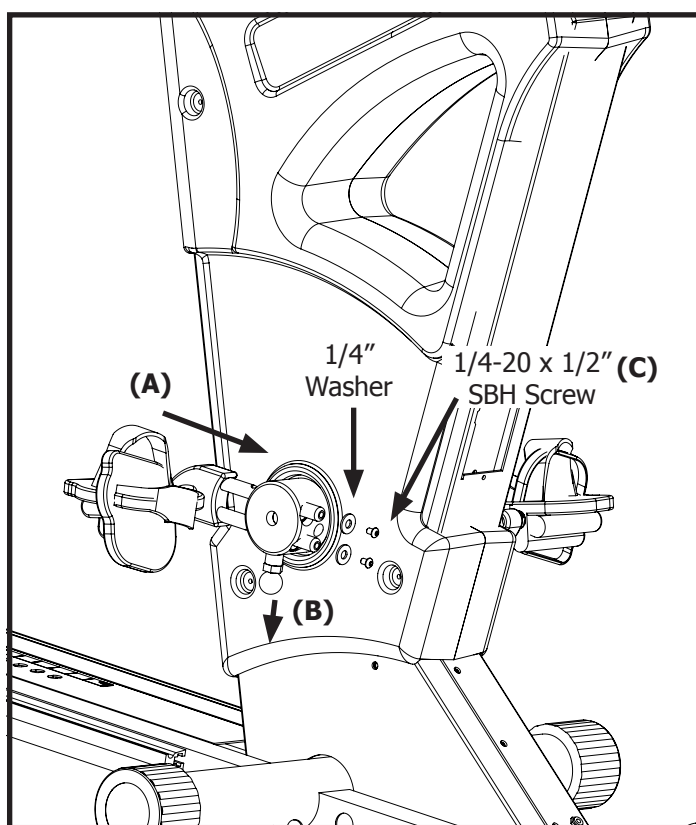


Assemble Foot Crank Pedals to Hubs (PRO2 Only)

Identify Left and Right Foot Crank Pedals



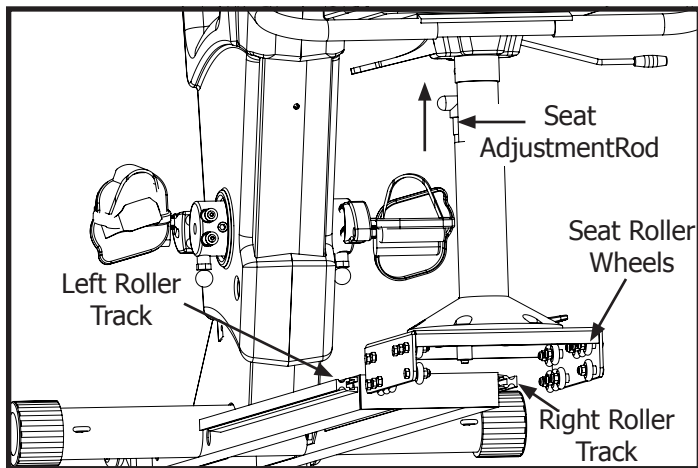
- (A) Insert parallel rods through bearing holes of hub.
- (B) Pull yellow crank arm locking pin out and push rods through until end of rod protrudes from farside.
- (C) To prevent unwanted dropping of crank arm when adjusting crank arm positions, install a 1/4-20 x 1/2" socket button head screw and 1/4" washer into the end of each rod.



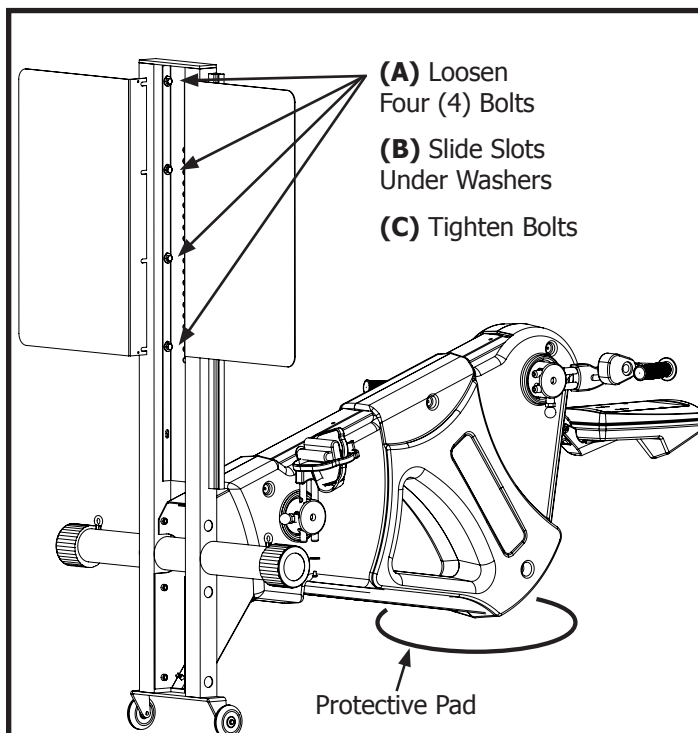
ASSEMBLY

Optional Wheelchair Platform

To install the optional wheelchair platform you must first remove the seat assembly from the base. Pull up and hold seat adjustment rod. Slide seat assembly to the rear until seat roller wheels disengage seat roller tracks.



With the aid of an assistant, carefully raise the base up, and lower the work console down until the console is resting on the floor. To prevent damage to the case, place a pad, piece of carpet or cardboard between the case and floor.



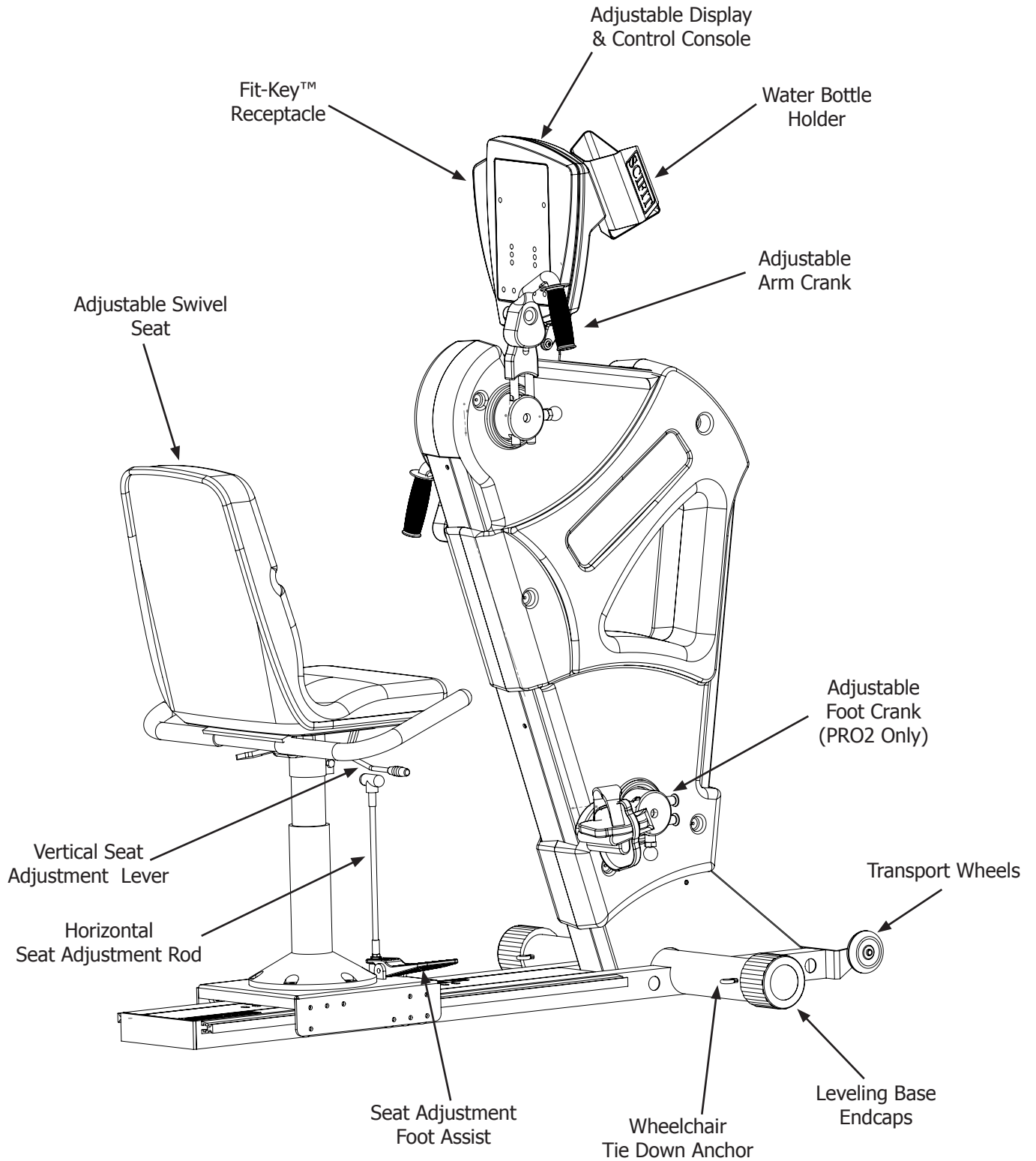
(A) With a 1/2" socket, loosen the four back end bolts that secure the Stainless Steel Adjustment Track to base frame, just enough to slide the platform under the lockwasher. **NOTE: Do Not remove or loosen bolts more than necessary.** (B) Engage slots of wheelchair platform over the four bolts, between the lockwasher and square tube. With the flat horizontal surface of the wheelchair platform flush against base frame square tube, (C) tighten the four bolts. Repeat process for the opposite side.

With an assistant, carefully lower the base to the floor. Reinstall seat by engaging the upper and lower seat roller wheels onto the left and right roller track. Pull up seat adjustment rod and slide seat assembly to

⚠ CAUTION

Monocoque Frame is top heavy. Two people are required to position frame in place. Failure to support frame properly **may** result in injury to yourself and/or others.

PRODUCT OVERVIEW



KEYPAD FUNCTIONS

Work Level Status Screen - The Work Level Status Screen gives a progressive real-time indication of current work level of any and all programs.

SCAN - When Scan Key is pressed, the display will return to the normal, scan view of all the function values.

MANUAL - The Manual program allows the user to set the intensity at any level. This level will not change unless the user manually increases or decreases the intensity using the UP or DOWN arrow keys.

HEART RATE - The Heart Rate program enables the user to set a target heart rate. Through real-time monitoring of the user's heart rate, the computer maintains the user's heart rate near this established target rate by altering the intensity. This program will work only with the optional chest strap.

CONSTANT WORK - In the Constant Work program, pedal resistance is automatically adjusted to compensate for any changes in pedal speed (RPM), thus workload (watts) will remain constant at any given setting. Therefore, at higher RPM's, the perceived load on the muscles is reduced while maintaining a target wattage.

START - The Start key provides a one-touch "quickstart" in Manual mode, or after logging into a program, the start key will activate the selected program.

TIME - The Time readout displays the user input of work level desired in a program, also the amount of workout time desired. During the running of a program it displays the amount of minutes that are left in the workout program.

Message Screen - The Message screen displays instructions on how to start and input program parameters. It also gives feedback information particular to each program i.e. Watts (indication of work), Heart Rate amount, Level of intensity, RPM turned, Calories burned, Distance traveled. Red LED lights light up next to the corresponding output.

SELECT - The Select key locks the display functions at their current settings. When pressed again, Select will cause the display to roll to its next mode and lock it there.

ISO-STRENGTH - The ISO-Strength program enables the user to set the target RPM rate. The computer continuously monitors the RPM, and increases the resistance if the measured RPM exceeds the target RPM.

RANDOM - The Random program provides a different program each time. The level of intensity throughout this program varies in a random fashion.

HILL PROFILES - Select between six different profiles of various intensity and intervals. The six profiles are; Course, Sprints, Twin Peaks, Peak, Progressive, Multi-Peak

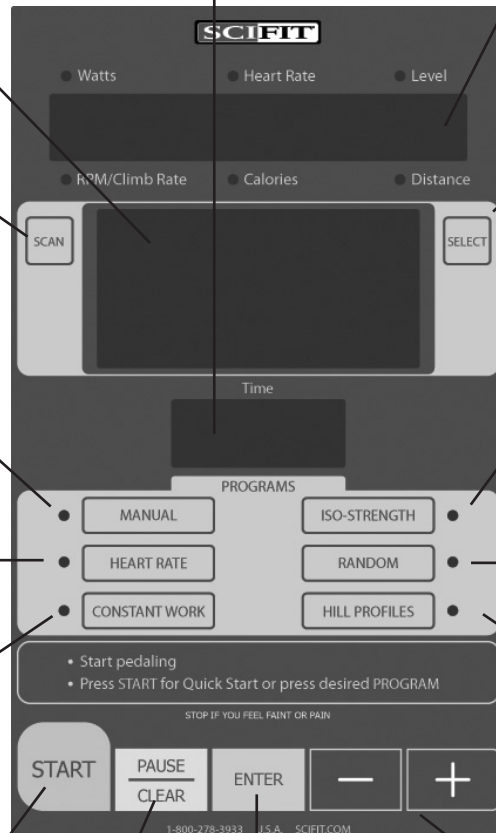
- and + - When pressed before a workout has begun, the plus and minus keys are used for increasing the value of the workout parameters. Time and Level (the desired values can then be chosen using the Enter key).

When pressed during a workout, these keys may also be used to:

- (1) Change the intensity level in the Manual, Random and all Hill Profile programs.
- (2) Change the target heart rate in the Heart Rate program.
- (3) Change the target wattage in the Workload Control (watts) program.
- (4) Change the target RPM value in the ISO-Strength (Isokinetic) program.

PAUSE/CLEAR - The Pause/Clear key will pause the timer any time during a program. Pressing Pause/Clear when in the paused mode will clear the program. To restart a paused program, press start.

ENTER - The Enter key is pressed to enter selected values for the following workout parameters. Program, Level and Time.



BIOMECHANICAL POSITIONING

Swivel or Fixed Seat and Wheelchair Use

Adjust seat or wheelchair forward or backward to a comfortable location for the upper body movement. A slight torso rotation is desired on extension. Avoid locking arms at extension by adjusting the seat position or arm crank radius. Adjust the height of the cranks to a comfortable position that encourages proper posture or at the desired angle for specific training or rehabilitation movements. Such movements and adjustments should be under the guidance and supervision of a fitness or medical professional. If your Pro2 features a seat with height adjustment, you may adjust either the seat height or the control head to obtain the desired axis of rotation and body position.

Crank Length Adjustment

Adjust the foot and crank arm radius to desired length. The longer the crank arm length the larger the circle the user will experience when exercising. Generally a larger circle will result in broader muscle recruitment and greater torso rotation.

Comfort is a key issue and these guidelines may be helpful.

Users Height:

5' 6" and under = shortest crank settings

5' 7" to 5'10" = middle crank settings

5' 11" and taller = longest crank setting

Important Note: When using this product for medical or rehabilitation purpose, the crank radius, seat height and distance should be set by the attending therapist or medical professional based on the specific needs of the user.

CAUTION

Always follow medical professionals guidelines to reduce the risk of personal injury. Failure to follow their directions **may** result in injury to yourself.



ADJUSTMENTS

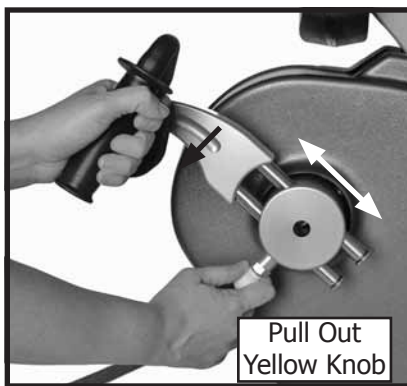
Control Console Adjustment

The control console should be positioned so it is eye level or in direct line of sight of the user. The control console can be repositioned by pushing backwards or pulling forward.

Crank Arm Adjustment

Crank arms can be adjusted to accommodate user height, achieve proper bio-mechanical positioning and work different muscle groups.

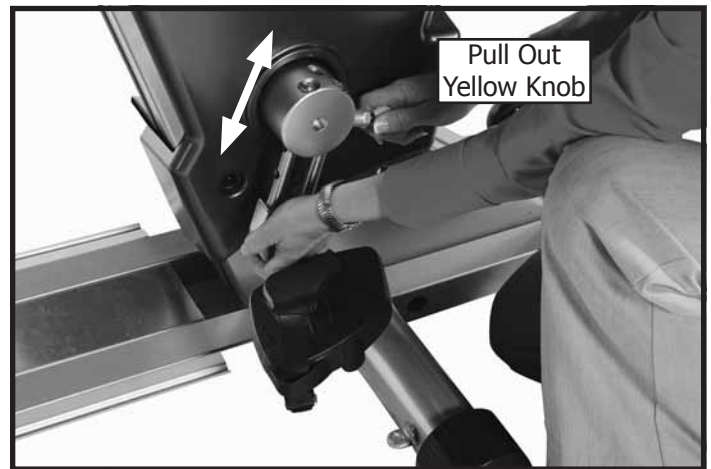
To adjust crank arm position, pull yellow spring loaded locking pin out and move crank arm to new position.



Foot Crank Adjustment

Foot crank pedals can be adjusted to accommodate user height, achieve proper bio-mechanical positioning and work different muscle groups.

To adjust foot crank position, pull yellow spring loaded locking pin out and move foot crank to new position.



Reversing Crank Arms

The upper body crank arms can be easily adjusted to work in unison or in a rotary rowing motion. To take advantage of this feature, first remove the Allen head screw and washer from the steel crank rods on the right side of the unit. The allen keys and instructions are included in your owners package. This is done one time only. To reverse the crank, pull the yellow pin and slide the crank arm completely out of the Crank hub. Pull the yellow pin and re-insert the crank arm carefully in the opposite position. The crank arms will now be working in unison. It is important to know that the function can not work in conjunction with the lower body movement on the PRO2.

Using your SCIFIT PRO2 or PRO1000 in this manner encourages abdominal and back involvement and can be used to in the treatment of specific medical conditions.

ADJUSTMENTS

Swivel Seat Adjustments

Horizontal Adjustment - The seat can be adjusted in 1" increments and is held in place with a spring loaded adjustment pin. The seat system is easily adjusted by pulling the seat adjustment rod up and sliding the seat assembly forward or backward. The seat may also be adjusted by pressing the foot assist pedal. Adjust the seat so the arms have a slight bend at full extension. The feet can be located in the most comfortable area on the flat surface of the foot rest.

Vertical Adjustment - Pull up on the vertical adjustment rod to move the seat up or down, to move up take weight off of seat.

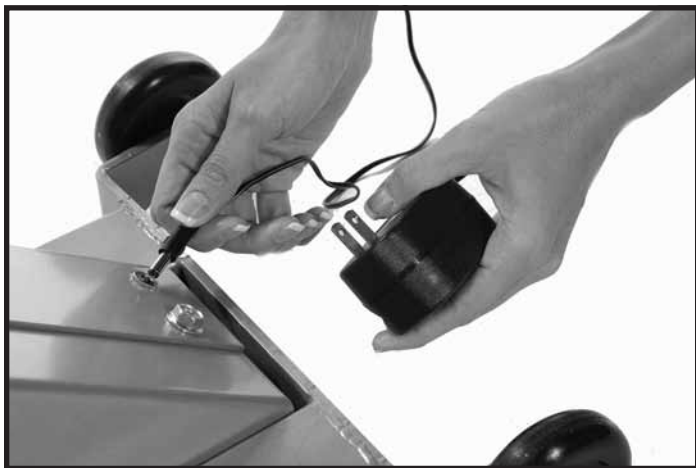
Swivel Adjustment - Push swivel adjustment lever down and rotate seat, pull lever up and rotate seat until it locks into place. The seat will lock into place at each 90 degree position.



ACCESSORIES

12V Power Pack (Standard)

To provide continuous power to the display when equipment is not in operation, plug in the 12V power pack into the jack located on the lower back side of monocoque frame.



Wheelchair Platform and Tie Downs (Optional)

The wheelchair platforms are flat steel sheets that fit into the inside channels of the seat system and can be installed in the field. The platforms do not change the seat removal.

The tie downs are adjustable straps with clips on each end. They fix to the wheelchair and the PRO1, PRO1000 or PRO2 at the front cross tube. The footrest must be removed to expose the tie down anchors.



Low Support Boot (Optional)

Footplate with a lip at the back to keep the feet from sliding off the pedal. Open at the front and has Velcro straps to keep the feet in place. They come with the crank bars for easy installation and removal.



High Support Boots (Optional)

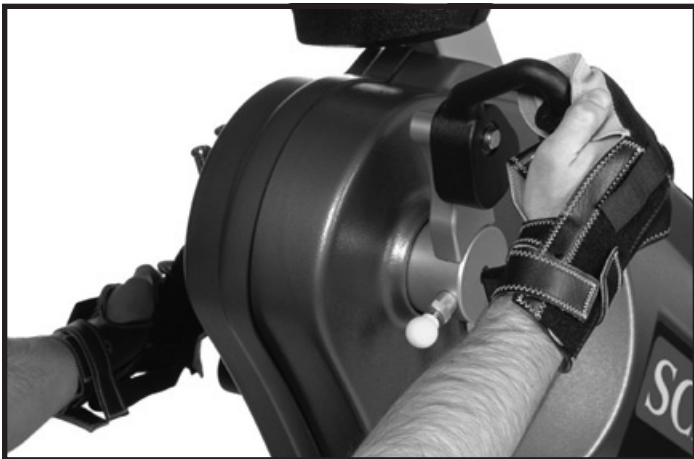
A plastic calf high boot which is open at the front and has Velcro straps to keep the legs in place. They come with the crank bars for easy installation and removal.



ACCESSORIES

Glove Assist (Optional)

For individuals tha have limited strength with fingers and wrist, the Assist Glove is available. Fit hand into glove, wrap glove pad with fingers around crank handles and secure in place with velcro strips.



HEART RATE TRANSMITTER STRAP

Uses of the Heart Rate Transmitter Strap

The optional wireless heart rate transmitter accessory is a useful device if you desire continuous feedback on your current heart rate during a workout. In addition, the PRO2 and PRO1000 includes a Heart Rate Control program which requires use of the strap.

The Heart Rate Control program enables the user to set-up a target heart rate. Through real-time monitoring of the user's heart rate, the computer maintains the user's heart rate at or below this established target rate by decreasing the workload if the user's heart rate exceeds the target.

Activating & Deactivating Transmitter

Heart Rate Transmitter Straps come in a variety of styles and manufacturers. To properly activate, secure strap to the chest, and to deactivate follow the instructions that come with the Transmitter Strap.

CAUTION

Always follow manufacturers instructions for proper care and use. Failure to follow manufacturers instructions may result in injury to yourself.



WARNING

Heart Rate monitoring systems may be inaccurate. If you feel faint, stop exercising immediately. Over exercising may result in serious injury or death.

Calculating Target Heart Rate Zone

Your approximate **Maximum Heart Rate (MHR)** is equal to 220 minus your age. The upper limit of your target zone is equal to 0.85 times your MHR. The lower limit of your target zone is equal to 0.60 times your MHR.

For Example:

Your age is 40:

$$220 - 40 = 180$$

$$180 \times .85 = 153 \text{ (max MHR)}$$

$$180 \times .65 = 108 \text{ (min MHR)}$$

These values are based upon averages, always consult your physician to establish the proper Heart Rate Zone for your individual health condition.

PROGRAM INSTRUCTIONS

Programs

SCIFIT products have 200 levels of computer controlled resistance, which ensures that users of all fitness levels will be able to get a challenging but not overwhelming workout. Because the resistance is adjustable in .1 increments, it is easy for the user to track progress. SCIFIT products feature one of the highest resistance capabilities available for any cardio equipment.

All SCIFIT products feature a low starting resistance with no minimum rpm, one revolution of the crank arm and foot pad lights the console and as long as the user is moving the handles, it will remain lit. SCIFIT units are self-generated, an optional wall-pack transformer is available to keep the console lit even if you need to take a break from exercise without having to start over.

Manual, Random, and Hill Profiles Programs

- **Start Moving Crank Arms**
- **Press Desired Program**

Each time Hill Profile is pressed, a different profile will graph out on the display, there are six hill profiles.

MANUAL The default Work Level for Manual is 4.0

RANDOM OR **HILL PROFILE** → **ENTER**

- **Adjust Work Level**

To set the Work Level, use the +(plus) or -(minus) keys to increase or decrease the workout intensity. The higher the number, the harder the workout. The default Work Level is 1 for Random and Hill Profile.

- **+** → **1:0** → **ENTER**

- **Adjust Workout Time**

Adjust the workout time with the +(plus) or -(minus) keys. The default time is 20 minutes.

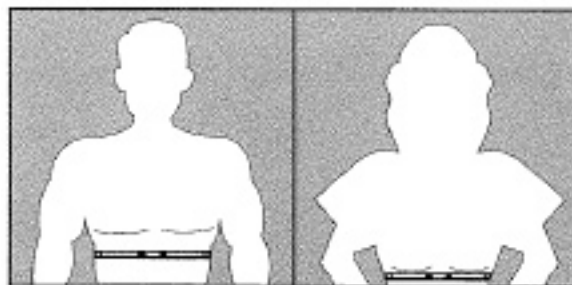
- **+** **20:00** **ENTER**

- **Press Start and Begin Exercising**

Heart Rate Program

The Heart Rate Transmitter Strap is required for this program. Refer to Section 8, Heart Rate Transmitter Strap for a complete instruction on using the strap. Refer to section 8, to understand how to calculate your Target Heart Rate.

- **Put on Heart Rate Transmitter Strap**



- **Start Moving Crank Arms**
- **Press HEART RATE** program key.

HEART RATE

- **Adjust Target Heart Rate**

Use the + (plus) or - (minus) keys to adjust Heart Rate. The default value is 100.

- **+** → **100** → **ENTER**

- **Adjust Workout Time**

Adjust the workout time with the + (plus) or - (minus) keys. The default time is 20 minutes.

- **+** → **20:00** → **ENTER**

- **Press Start and Begin Exercising**

PROGRAM INSTRUCTIONS

Constant Work

Constant Work is a unique program that allows a user to set a target wattage output (or workload). The computer will control the resistance so that the user is always working at that target level, regardless of speed. Resistance is lower at higher speeds and higher at lower speeds.

- **Start Moving Crank Arms**
- **Press Constant Work** program key.

CONSTANT WORK

• Adjust Target Watts

Use the + (plus) or - (minus) keys to adjust Watts until the desired wattage is displayed. The default value is 50.



• Adjust Workout Time

Adjust the workout time with the + (plus) or - (minus) keys. The default time is 20 minutes.



- **Press Start and Begin Exercising**

ISO-Strength

This is an iso-kinetic program, meaning that the unit will resist your movements in order to force you to stay at a set speed. This type of strength workout will not cause excessive soreness because it is accommodating. The computer adjusts resistance based upon the strength or weakness at a specific point in the movement and reacts to fatigue.

- **Start Moving Crank Arms**
- **Press ISO-Strength** program key.

ISO-STRENGTH

• Adjust Target RPM

Use the + (plus) or - (minus) keys to adjust RPM until the desired RPM is displayed. The default value is 50.



• Adjust Workout Time

Adjust the workout time with the + (plus) or - (minus) keys. The default time is 20 minutes.



- **Press Start and Begin Exercising**

Fit-Key™ System (Optional)

All SCIFIT equipment is equipped with the Fit-Key™ system, but it is not required to operate the unit. Fit-Key™ is a program that records and stores workout data on a key that can be then transferred to a computer with a Fit-Key™ reader.

MAINTENANCE & SERVICE

Maintenance

The PRO2 and PRO1000 are virtually maintenance free. After training, always wipe down your SCIFIT exercise product. Perspiration that continuously settles on the frame, upholstery, casings, and control console may eventually cause rust or damage. Damage resulting from lack of maintenance is NOT covered under warranty.

Clean the console, seat, hand grips and body with a commercially manufactured wipe designed for the fitness industry, or a damp cloth.

CAUTION

In order to maintain a safe level of operation, equipment must be inspected on a routine basis for damaged or worn parts. Failure to inspect equipment may result in injury to yourself or others.

Special attention should be paid to rollers, pins, pivot joints and bearings. Check for loose screws / nuts / bolts periodically. If defective components are identified and require replacement, the equipment should be put out of service until repaired.

UNITED STATES CUSTOMER SERVICE

For assistance in the service of SCIFIT products;

phone : (800) 745-1373 or (918) 359-2040
fax : (918) 359-2045
e-mail: service@scifit.com

The Product Support department is staffed from 7:00 AM to 6:00 PM CST Monday through Friday. A voice mail service is available 24 hours a day for recording messages to request technical support and to order replacement parts. Our mailing address is:

SCIFIT Systems Inc.
5151 S. 110th E. Ave.
Tulsa, OK 74146
USA

UK & EUROPEAN CUSTOMER SERVICE

phone : +44 1344 300022
fax: +44 1344 868838
e-mail: info@scifit.uk.com

SCIFIT LTD (UK)
Lexham House
Forest Road
Binfield
Berkshire, RG42 4HP
UK

Company Number: 5970624 (UK)

WARRANTY

SCIFIT Statement of Warranty

SCIFIT warrants new products against defective workmanship and/or materials under normal and proper use subject to the following limitations:

(a) SCIFIT's obligation to the original purchaser shall apply to:

Within the United States and Canada both parts and the cost of labor required to replace or repair a defective product for a period of one (1) year from user purchase date as documented by warranty card and if warranty card has not been returned by user then date of shipment from the factory. Thereafter, for a period of two (2) years, such obligation shall extend only to the supply of replacement parts or products with any labor cost associated with such replacement or repair to be at Buyer's expense.

Outside the United States and Canada replace defective product with no labor for a period of three (3) years from user purchase date as documented by warranty card and if warranty card has not been returned by user then date of shipment from the factory.

(b) SCIFIT's obligation shall be limited to repairing or replacing defective parts. No allowance shall be granted for repairs made by Buyer without SCIFIT's prior written approval. The decision to replace or repair shall be solely at SCIFIT's discretion.

(c) SCIFIT's warranty does not apply to parts requiring replacement or repair due to abnormal wear and tear, improper use, corrosion (perspiration), improper maintenance, improper rated, grounded or dedicated electrical circuits or improper storage, nor does it apply where all or part of the product has been altered from its original state.

(d) THIS WARRANTY IS IN LIEU OF ALL OTHER WARRANTIES, EXPRESSED OR IMPLIED, ARISING BY LAW OR OTHERWISE INCLUDING WARRANTY OR MERCHANTABILITY OR FITNESS FOR PURPOSE, AND IS IN LIEU OF ALL OTHER LIABILITIES OF SCIFIT INCLUDING DIRECT, INDIRECT, SPECIAL AND CONSEQUENTIAL DAMAGES OR PENALTIES EXPRESSED OR IMPLIED WHETHER ARISING OUT OF CONTRACT, NEGLIGENCE OR OTHER TORT.

(e) Certain wear items are excluded from warranty coverage unless determined to be defective. These items include, but not limited to:

Seat, Rubber Footpads, Pedal Straps if equipped, Water Bottle Holder, Magazine Rack.

Freight and Shipping

SCIFIT is not responsible for the repair or replacement of any unit or part damaged during transit or installation. Fire, flood and acts of nature are NOT covered under this warranty. The customer is responsible for inspection of each unit and part for shipping damage at the time of delivery or installation. The customer is responsible for pursuing all freight damage claims with the appropriate transit company.

If the customer signs an unqualified receipt for freight-damaged goods, customer is solely responsible for the cost of repair or replacement for such freight damage.

Record Your Model Number: _____

Record Your Serial Number: _____

Record Your Date of Purchase: _____



Desarrollo en Sistemas Digitales y de Control, S.A. de C.V.

Heriberto Frías Num. 203, Col. Narvarte, Deleg. Benito Juárez, México, D.F., 03020

Tel/Fax 5639-1451, 5638-1188 Email: tinemi@tinemi.com.mx

www.tinemi.com.mx

